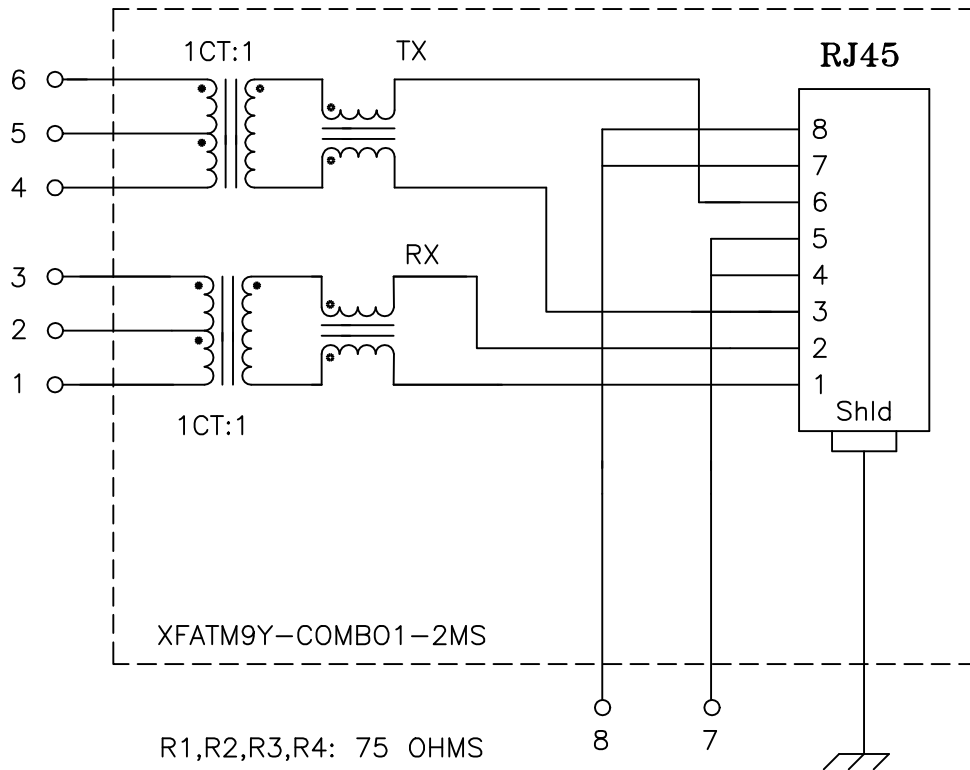


Schematic:



Electrical Specifications: @25°C

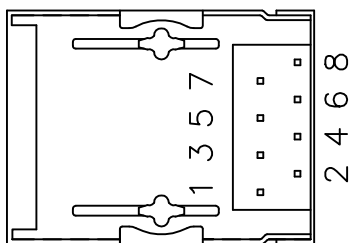
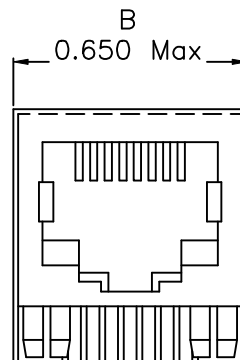
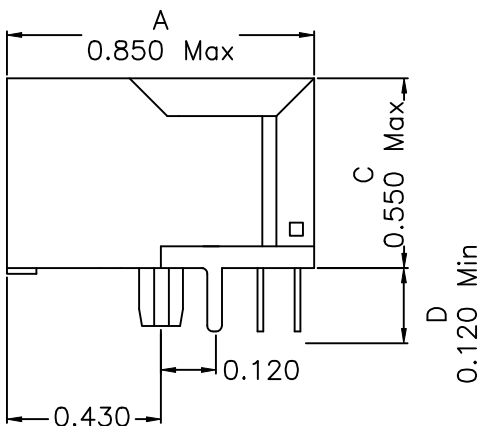
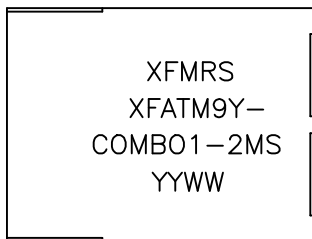
Isolation Voltage: 1500 Vrms (Input to Output)
 Isolation Voltage: 500 Vrms (P1+2+3 to P4+5+6)
 Turns Ratio: TX 1CT:1CT ±3% RX 1CT:1CT ±3%
 CABLE SIDE OCL: 350uH Minimum @100KHz 100mV 8mADC
 Cw/w: 27pF Typical @100KHz 100mV
 Insertion Loss (300KHz-100MHz): -1.0dB Minimum
 Return Loss: @30MHz -18dB Minimum
 @80MHz -12dB Minimum

Note:

1. Solderability: Leads shall meet MIL-STD-202, Method 208D for solderability.
2. Flammability: UL94V-0,
3. ASTM oxygen index: > 28% ,
4. Temperature rating: 155°C. UL file E151556,
5. Operating Temperature Range: -40°C to +85°C

XFMR Inc.	Title: DUAL PORT COMBO		
	UNLESS OTHERWISE SPECIFIED	P/N: XFATM9Y-COMBO1-2MS	REV. A
TOLERANCES: .xxx ±0.010	DWN.	李小锋	Aug-1-03
Dimensions in Inch	CHK.	廖玉坤	Aug-1-03
SHEET 1 OF 2	APP.	BW	Aug-1-03

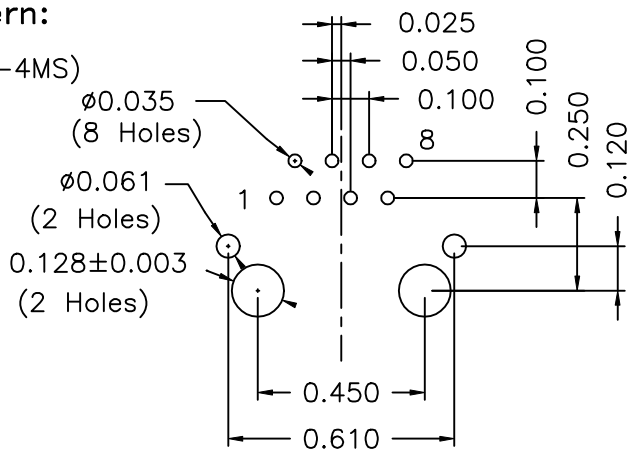
Mechanical Dimensions:



(BOTTOM VIEW)

Mounting Pattern:

(FOR COMBO1-4MS)
(COMP SIDE)



XFMRS Inc.		Title: Mechanical Dimensions For COMBO1-2MS Series	
UNLESS OTHERWISE SPECIFIED TOLERANCES: .xxx ±0.010 Dimensions in Inch	P/N: XFATM9Y-COMBO1-2MS		REV. A
	DWN.	李小锋	Aug-1-03
	CHK.	廖玉坤	Aug-1-03
	APP.	BW	Aug-1-03
SHEET 2 OF 2			